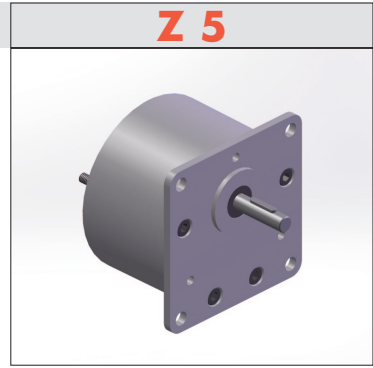


Spur gear

- Properties:**
- General: Multi-stage, closed spur gear
For use in combination with our motors.
Single gear with ball-bearing ingoing shaft
(2 bearings back-to-back)
Lifetime grease lubrication
 - Housing: Zinc diecast, machined
User-defined installation
 - Tooth system tech.: Individually guided gear-pinion combinations
Ingoing stage with oblique teeth
Ball bearing end shaft
 - Options: Planet gears



Loading capacity	Max. radial force	N	90									
	Max. axial force	N	5									
	Max. input speed	rpm	5000									
	Temperature range	°C	-20° – +40°									
Mounting	Shaft diameter	mm	5									
	Weight	kg	0.30 (2-stage) – 0.38 (4-stage) front side									
	Mounting part (standard)											
Translations	i	Stages	M (Nm)	η	i	Stages	M (Nm)	η	i	Stages	M (Nm)	η
	4.6	2	1	0.9	43.5	3	3	0.85	128	4	3.3	0.81
	8.9	2	2	0.9	46.2	4	3.3	0.81	145	4	3.3	0.81
	13	2	2	0.9	62.2	4	3.3	0.81	158	4	3.3	0.81
	17.4	2	2	0.9	82	4	3.3	0.81	194	4	3.3	0.81
	25	3	3	0.85	96	4	3.3	0.81				
	35.5	3	3	0.85	110	4	3.3	0.81				

Dimensions

